



LED Pixel Track

ORDERCODE 42200



SHOWELECTRONICS FOR PROFESSIONALS

Congratulations!

You have bought a great, innovative product from Showtec.

The Showtec LED Pixel Track brings excitement to any venue. Whether you want simple plug-&-play action or a sophisticated DMX show, this product provides the effect you need.

You can rely on Showtec, for more excellent lighting products.

We design and manufacture professional light equipment for the entertainment industry.

New products are being launched regularly. We work hard to keep you, our customer, satisfied.

For more information: iwant@showtec.info

You can get some of the best quality, best priced products on the market from Showtec.

So next time, turn to Showtec for more great lighting equipment.

Always get the best -- with Showtec !

Thank you!



Showtec LED Pixel Track™ Product Guide

Warning	2
Safety-instructions.....	2
Operating Determinations.....	3
Rigging.....	3
Description	4
Features.....	4
Overview.....	4
Backside.....	4
Installation	5
Set Up and Operation	5
Panel Functions.....	5
- Mode.....	5
- F / S.....	5
Stand-Alone.....	6
Sound-Active.....	6
DMX Operation.....	7
- DMX Modes.....	8
Maintenance	9
Changing the Fuse.....	9
Troubleshooting	9
Product Specifications	10

Description of the device

Features

The LED Pixel Track is a LED system from Showtec.

- Sound-controlled via built-in microphone
- 3 Modes: Stand-alone, DMX-controlled or Sound-controlled

NOTE: Knowledge of DMX is required to fully utilize this unit.

Overview

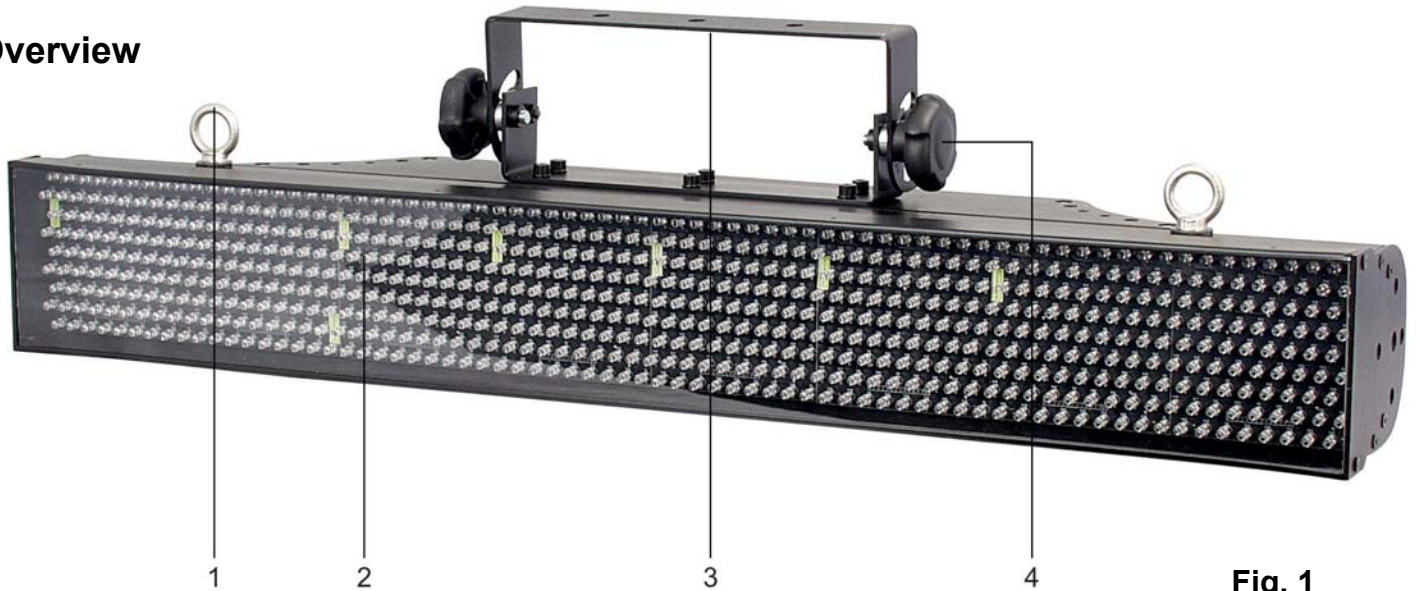


Fig. 1

- 1) Safety Eye for Truss mounting
- 2) Total LED Pixel Track 648 LEDs
- 3) Mountingbracket for Truss mounting
- 4) Adjustment Screw

Backside

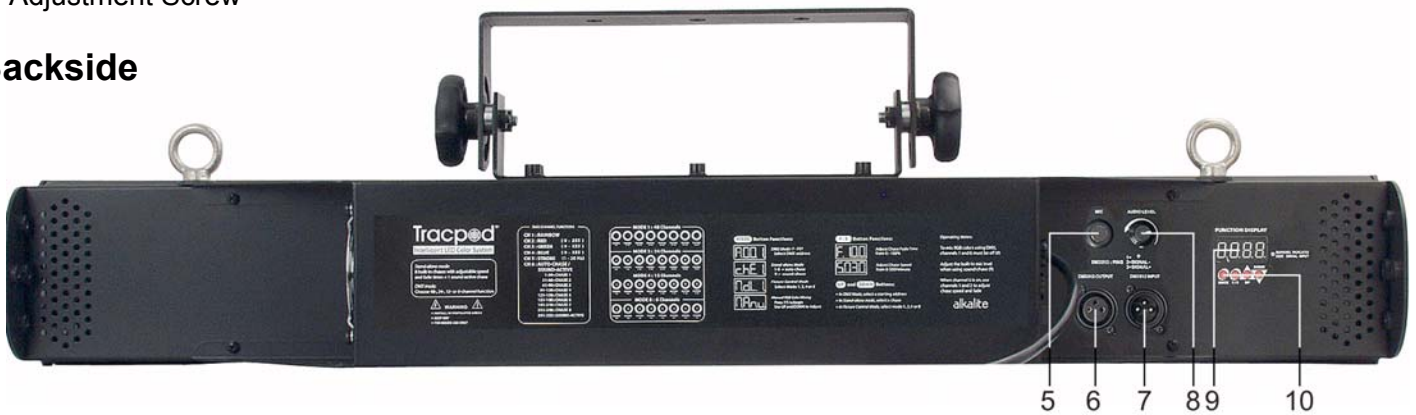


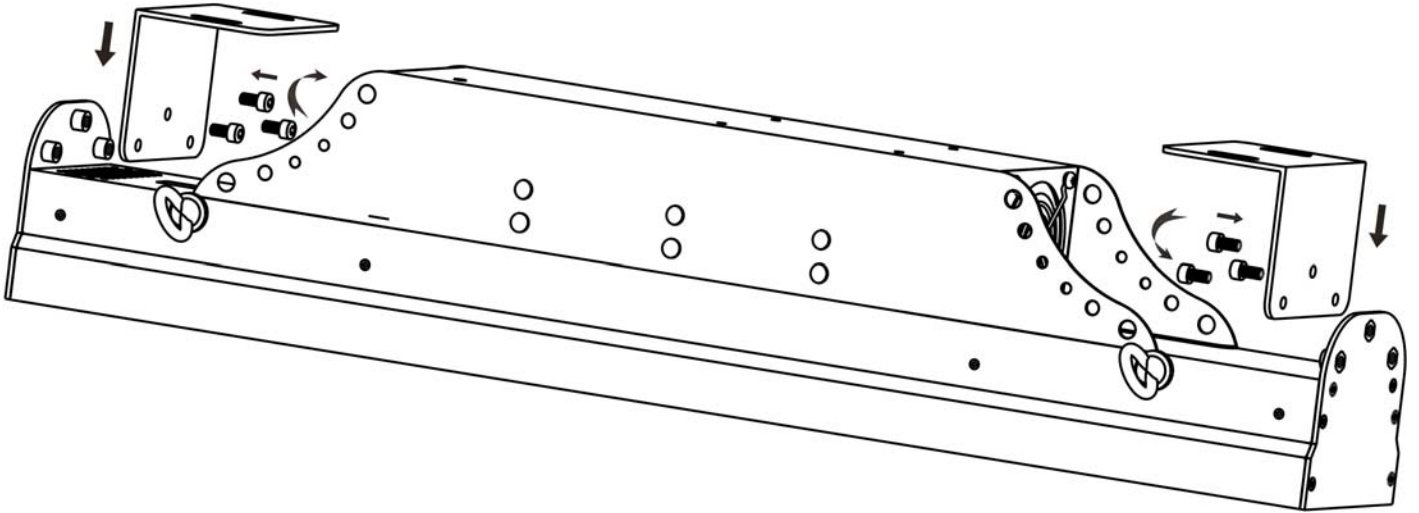
Fig. 2

- 5) Audio Level (sensitivity)
- 6) Mic
- 7) DMX signal connector (IN)
- 8) DMX signal connector (OUT)
- 9) Power On / Off
- 10) AC powercord

Installation

Remove all packing materials from the LED Pixel Track. Check that all foam and plastic padding is removed. Connect all cables.

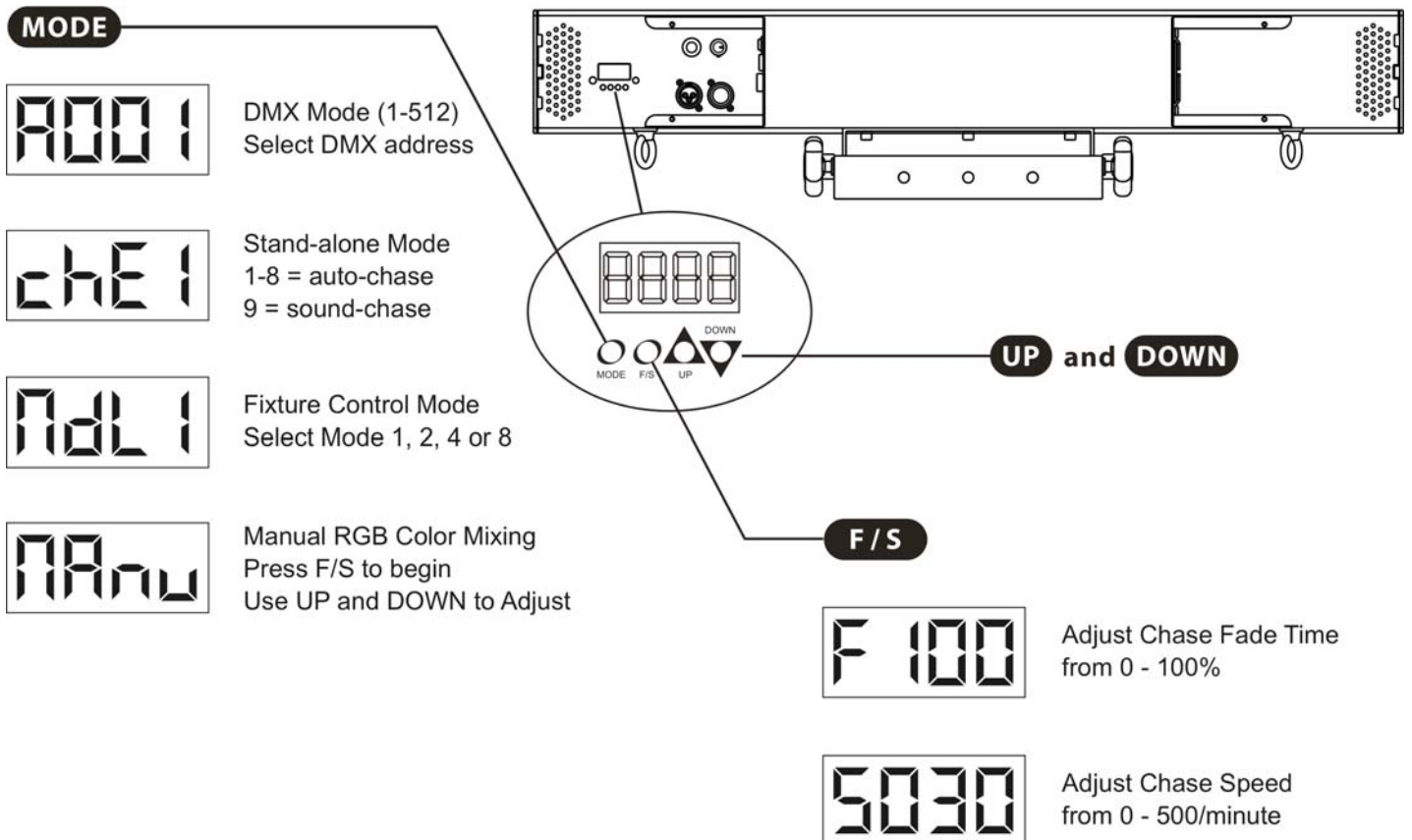
Do not supply power before the whole system is set up and connected properly.
Always disconnect from electric mains power supply before cleaning or servicing.
Damages caused by non-observance are not subject to warranty.



Set Up and Operation

Before plugging the unit in, always make sure that the power supply matches the product specification voltage. Do not attempt to operate a 120V specification product on 230V power, or vice versa.

Panel Functions



Stand-alone Operation

Refer to the four buttons on the front panel of the LED Pixel Track: Mode
F / S
Up
Down

Press the MODE button to view the Chase menu:



Select Chases 1-9 using the UP and DOWN buttons.
Chases 1-8 run according to the Fade and Speed values.
Chase 9 is sound-active.

Press the F/S button to set the Fade and Speed values:



Adjust Chase Fade Time from 0-100%.



Adjust Chase Speed from 1-500 steps per minute.

Press the MODE button to view the Manual Color Mixing menu:



Press F/S to select the color you want to adjust.
Use UP and DOWN to mix the RGB colors and change their values.



Indicates Red with value from Dark (0) to Bright (255).



Indicates Green with value from Dark (0) to Bright (255).



Indicates Blue with value from Dark (0) to Bright (255).

Sound-active Operation

In Stand-alone mode, select Chase 9 and adjust the audio input level using the sensitivity control dial on the side panel of the LED Pixel Track.

In DMX mode, use Channel 6 to select Sound-active operation and to adjust the audio sensitivity.

DMX Operation

Press the MODE button to view the DMX address setting menu:



Select the DMX starting address for the Pixel Drive 8 using the UP and DOWN buttons.

The DMX Channel functions are:

- Channel 1: Rainbow
- Channel 2: Red (0-255)
- Channel 3: Green (0-255)
- Channel 4: Blue (0-255)
- Channel 5: Strobe (1-20HZ)
- Channel 6: Sound-active/ Audio sensitivity

There are 8 modes of self-running programs (0-220) and 1 sound-active program (241-255) in Channel 6.

- Chase 1: 1-30
- Chase 2: 31-60
- Chase 3: 61-90
- Chase 4: 91-120
- Chase 5: 121-150
- Chase 6: 151-180
- Chase 7: 181-210
- Chase 8: 211-240
- Sound-Active: 241-255

The LED Pixel Track's built-in controller will automatically detect the presence of a DMX signal.

IF a DMX signal is present, the front panel LED display will blink.

In order to receive a DMX signal, the built-in controller must be attached to a DMX controller by a 3-pin DMX cable and the DMX controller must be turned on.

To mix RGB color using DMX, Channel 1 (Rainbow) must be off (0).

When programming your own DMX sequences, note that Channel 6 must be off (0) to avoid activating Sound-active mode during playback.

The LED Pixel Track system can operate as a 48-, 24-, 12- or 6- channel DMX fixture. Select DMX Mode 1, 2, 3 or 4 as described on the next page.

DMX Modes

Press the MODE button to view the DMX mode selection menu. Use the UP and DOWN buttons to select the DMX mode.



DMX Mode 1 : 48-channel operation (Control each LED Pixel Track LED cluster separately)



DMX Mode 2 : 24-channel operation (Control 4 sets of 2 LED Pixel Track LED clusters)



DMX Mode 4 : 12-channel operation (Control 2 sets of 4 LED Pixel Track LED clusters)



DMX Mode 8 : 6-channel operation (Control 8 LED Pixel Track LED clusters in unison)



Maintenance

The LED Pixel Track requires almost no maintenance. However, you should keep the unit clean. Disconnect the mains power supply, and then wipe the cover with a damp cloth. Do not immerse in liquid. Keep connections clean. Disconnect electric power, and then wipe the audio connections with a damp cloth. Make sure connections are thoroughly dry before linking equipment or supplying electric power.

Replacing a Fuse

Power surges, short-circuit or inappropriate electrical power supply may cause a fuse to burn out. If the fuse burns out, the product will not function whatsoever. If this happens, follow the directions below to do so.

1. Unplug the unit from electric power source.
2. Insert a screwdriver into the slot in the fuse cover. Turn the screwdriver to the left, at the same time gently push a bit (Turn and Push). The fuse will come out. (Fig. 3)
3. Remove the broken fuse. If brown or unclear, it is burned out.
4. Insert the replacement fuse into the holder where the old fuse was. Reinsert the fuse cover.
Be sure to use a fuse of the same type and specification. See the product specification label for details.

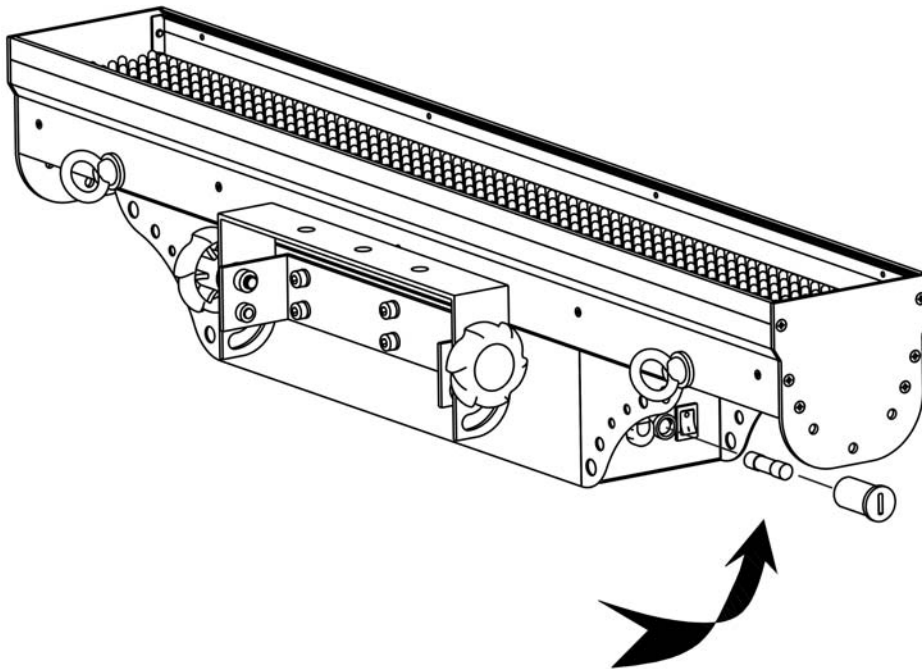


Fig. 3

Troubleshooting

Showtec LED Pixel Track

This troubleshooting guide is meant to help solve simple problems.

If a problem occurs, carry out the steps below in sequence until a solution is found. Once the unit operates properly, do not carry out following steps.

1. If the device does not operate properly, unplug the device.
2. Check the fuse, power from the wall, all cables etc.
3. If all of the above appears to be O.K., plug the unit in again.
4. If you are unable to determine the cause of the problem, do not open the LED Pixel Track, as this may damage
the unit and the warranty will become void.
5. Return the device to your Showtec dealer.

Product Specification

Model: Showtec LED Pixel Track

Voltage : AC 230V-50Hz (CE)

Power: 115W

Fuse: 250V / T1,5A

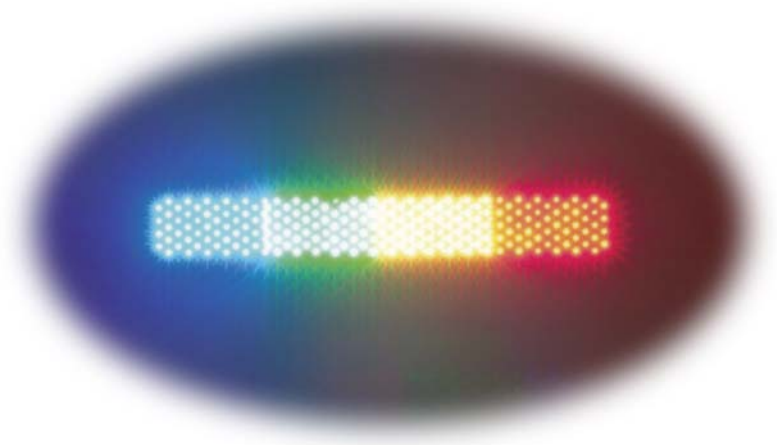
Audio trigger: Built-in Mic

DMX Input : 3-pin XLR Male connector

DMX Output : 3-pin XLR Female connector

Dimensions : 811 x 173 x 160 mm (LxWxH)

Weight : 8,2 kg



Design and product specifications are subject to change without prior notice.





© 2005 Showtec.